

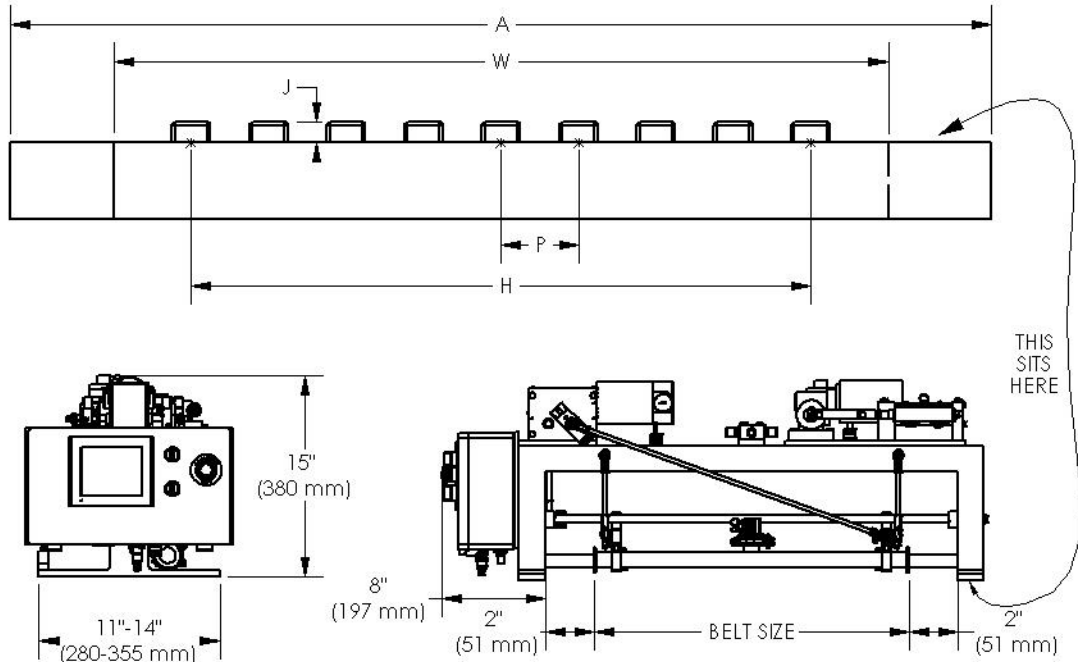


WOODY ASSOCIATES, INC.

844 East South Street, York, PA 17403 USA
Phone: 717-843-3975 • Fax: 717-843-5829
Web: www.woody-decorators.com
Email: info@woody-decorators.com

CONVEYOR DATA FORM

CUSTOMER



TYPICAL STRINGER DIMENSIONS

CONVEYOR MEASUREMENTS

- _____ (A) CONVEYOR FRAME WIDTH
- _____ (W) BELT WIDTH
- _____ BELT TYPE

PRODUCT INFORMATION

- _____ (H) EXACT DISTANCE BETWEEN CENTERS OF OUTER PRODUCT ROWS
- _____ (I) NUMBER OF PRODUCT ROWS
- _____ (J1, J2) HEIGHT OF HIGHEST AND LOWEST PRODUCT
(DO NOT INCLUDE SPECIAL HIGH PIECES, STRINGER CAN BE RAISED)
- _____ (P) EXACT DISTANCE BETWEEN CENTER OF PRODUCT ROWS
- _____ TYPE OF PRODUCT (NORMAL CANDIES, BAKED ITEM, LOOSE NUTS, CRUMBS)

ADDITIONAL INFORMATION

- _____ POWER FOR STRINGER (120V, 60C) OR (230V, 60C) OR (230V, 50H), SINGLE PHASE
- _____ TYPE OF DECORATING MATERIAL
(PURE OR COMPOUND CHOCOLATE, FAT OR WATER-BASED ICING)
- _____ MAXIMUM NOZZLE CYCLES PER MINUTE (250-STANDARD, FASTER-SPECIAL!)